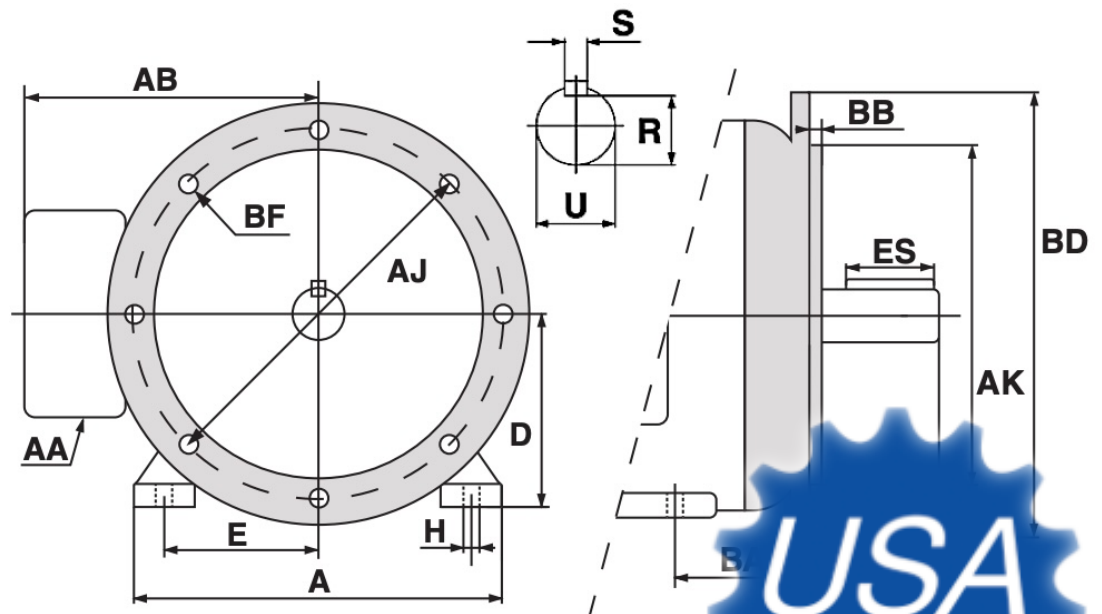


Electric Motor Dimensions



USARollerChain.com

Electric Motor Dimensions Quick Reference

Our Electric Motor Dimensions Chart is a comprehensive resource that includes NEMA standard motors, metric, IEC frame motors, pre-NEMA motors, and 5000 frame size motors. We also provide a clear comparison of NEMA Frames versus horsepower and more! Please note the Electric Motor Dimensions Chart section is for general reference. If you need specific motor details, our dedicated customer service team is always here to support you, ensuring you have the information you need when you need it.

NEMA Electric Motor Dimensions

The National Electrical Manufacturers Association (NEMA) was established in 1926 and published standards for electric motors. NEMA frame size numbers provide manufacturers and users with key information about different electric motor dimensions. Moto frame sizes with the letter "T" mean that the frame has been standardized across manufacturers to specific specifications such as horsepower and speed and certain key dimensions such as shaft diameter, height, length, and mounting base dimensions.

Metric IEC Electric Motor Dimensions

The International Electrotechnical Commission (IEC) establishes certain standards related to efficiency, power output and motor size dimensions. IEC electric motors are very popular worldwide and was founded in England in 1906. The below charts include IEC electric motor dimensions for frame sizes 56 - 280M, for additional information contact our customer service team and we will gladly assist you!

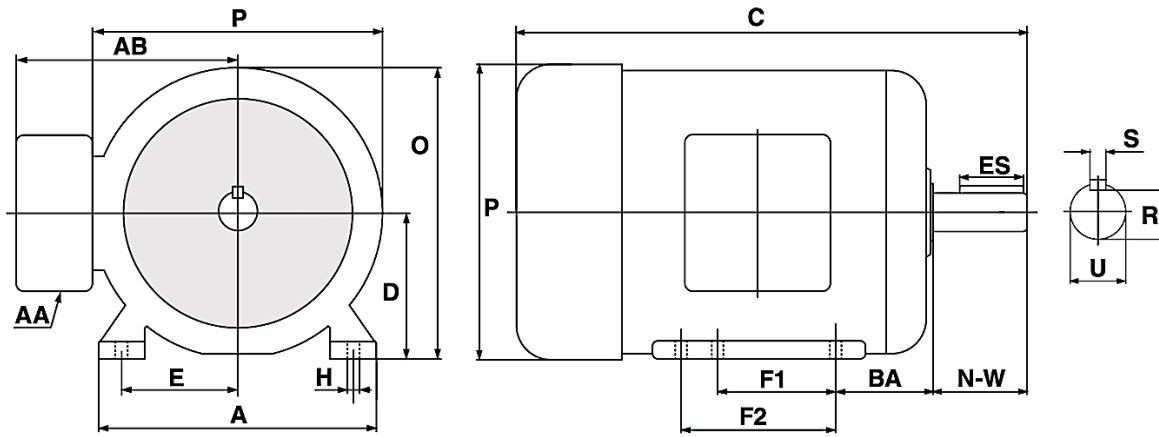
Address: 13614 Granville Ave, Clermont, FL 34711

Phone: (407) 347-3519

Email: sales@usarollerchain.com

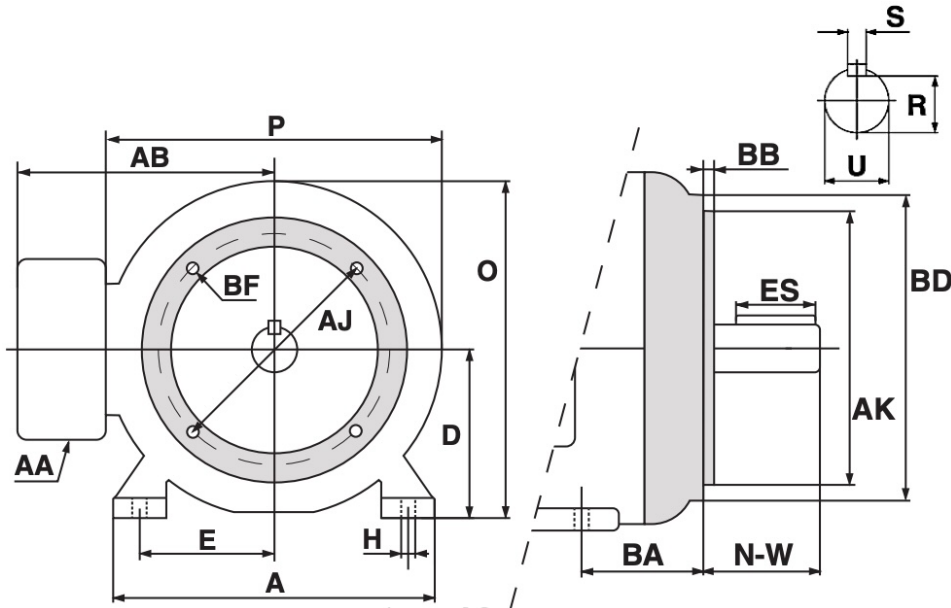


NEMA Footed T-Frame Motor Dimensions



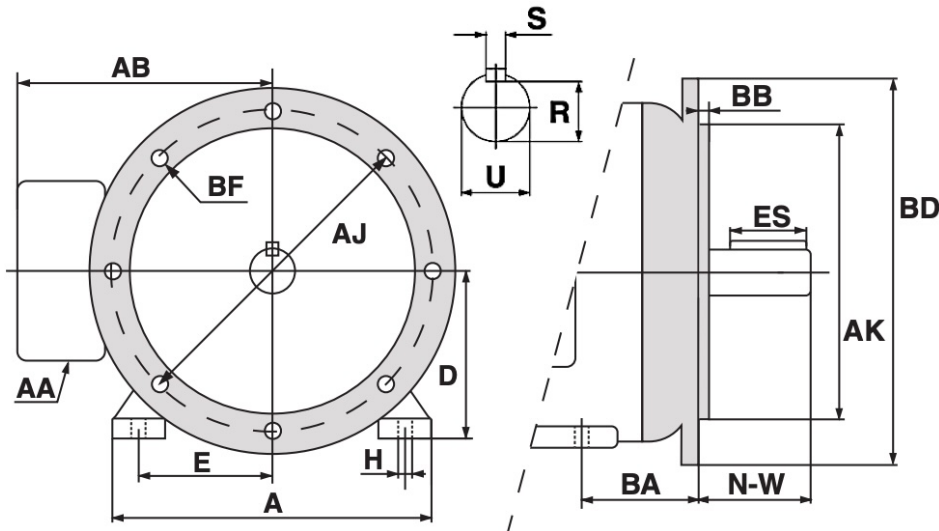
Frame Size	(A)	(BA)	(E)	(F1)	(F2)	(H)	(N-W)	(U)	(R)	(S)	(ES)	(AA)	(AB)	(C)	(D)	(O)	(P)
42	--	--	1.75"	1.6875"	--	0.28"	1.50"	0.375"	0.3281"	--	--	0.375"	4.03125"	--	2.625"	5.00"	4.6875"
48	--	--	2.125"	2.75"	--	0.34"	1.875"	0.50"	0.4531"	--	--	0.50"	4.375"	--	3.00"	5.875"	5.0625"
56C	6.3"	2.75"	2.44"	3.00"	--	0.335"	1.875"	0.625"	0.517"	0.1875"	1.41"	0.50"	5.20"	11.5"	3.50"	6.65"	6.10"
58HC	6.3"	2.75"	2.44"	3.00"	5.00"	0.335"	1.875"	0.625"	0.517"	0.1875"	1.41"	0.50"	5.65"	13.6"	3.50"	7.00"	6.90"
143T	7"	2.25"	2.75"	4.00"	--	0.34"	2.25"	0.875"	0.771"	0.188"	1.41"	0.75"	5.90"	13.38"	3.50"	7.25"	7.125"
145T	7"	2.25"	2.75"	5.00"	--	0.34"	2.25"	0.875"	0.771"	0.188"	1.41"	0.75"	5.90"	14.38"	3.50"	7.25"	7.125"
182T	9"	2.75"	3.75"	4.50"	--	0.41"	2.75"	1.125"	0.986"	0.250"	1.78"	0.75"	7.17"	15.90"	4.50"	9.055"	9.03"
184T	9"	2.75"	3.75"	5.50"	--	0.41"	2.75"	1.125"	0.986"	0.250"	1.78"	0.75"	7.17"	16.90"	4.50"	9.055"	9.03"
213T	10.27"	3.5"	4.25"	5.50"	--	0.41"	3.38"	1.375"	1.201"	0.312"	2.42"	1.00"	7.95"	19.10"	5.25"	10.63"	10.57"
215T	10.27"	3.5"	4.25"	7.00"	--	0.41"	3.38"	1.375"	1.201"	0.312"	2.42"	1.00"	7.95"	20.60"	5.25"	10.63"	10.57"
254T	12.36"	4.25"	5.00"	8.25"	--	0.53"	4.00"	1.625"	1.416"	0.375"	2.81"	1.25"	10.10"	24.28"	6.25"	12.68"	12.59"
256T	12.36"	4.25"	5.00"	8.25"	10.00"	0.53"	4.00"	1.625"	1.416"	0.375"	2.81"	1.25"	10.10"	26.01"	6.25"	12.68"	12.59"
284T	13.8"	4.75"	5.50"	9.50"	--	0.53"	4.62"	1.875"	1.591"	0.500"	3.28"	1.50"	10.83"	27.73"	7.00"	14.53"	14.26"
284TS	13.8"	4.75"	5.50"	9.50"	--	0.53"	3.25"	1.625"	1.416"	0.375"	1.91"	1.50"	10.83"	26.36"	7.00"	14.53"	14.26"
286T	13.8"	4.75"	5.50"	9.50"	11.00"	0.53"	4.62"	1.875"	1.591"	0.500"	3.28"	1.50"	10.83"	29.23"	7.00"	14.53"	14.26"
286TS	13.8"	4.75"	5.50"	9.50"	11.00"	0.53"	3.25"	1.625"	1.416"	0.375"	1.91"	1.50"	10.83"	27.86"	7.00"	14.53"	14.26"
324T	15.4"	5.25"	6.25"	10.50"	--	0.66"	5.25"	2.125"	1.845"	0.500"	2.03"	2.00"	13.0"	30.20"	8.00"	16.06"	16.03"
324TS	15.4"	5.25"	6.25"	10.50"	--	0.66"	3.75"	1.875"	1.591"	0.500"	2.03"	2.00"	13.0"	28.70"	8.00"	16.06"	16.03"
326T	15.4"	5.25"	6.25"	10.50"	12.00"	0.66"	5.25"	2.125"	1.845"	0.500"	2.03"	2.00"	13.0"	31.70"	8.00"	16.06"	16.03"
326TS	15.4"	5.25"	6.25"	10.50"	12.00"	0.66"	3.75"	1.875"	1.591"	0.500"	2.03"	2.00"	13.0"	30.20"	8.00"	16.06"	16.03"
364T	17.17"	5.88"	7.00"	11.25"	--	0.66"	5.88"	2.375"	2.021"	0.625"	4.28"	3.00"	14.2"	33.83"	9.00"	18.425"	18.21"
364TS	17.17"	5.88"	7.00"	11.25"	--	0.66"	3.75"	1.875"	1.591"	0.500"	2.03"	3.00"	14.2"	31.70"	9.00"	18.425"	18.21"
365T	17.17"	5.88"	7.00"	11.25"	12.25"	0.66"	5.88"	2.375"	2.021"	0.625"	4.28"	3.00"	14.2"	34.83"	9.00"	18.425"	18.21"
365TS	17.17"	5.88"	7.00"	11.25"	12.25"	0.66"	3.75"	1.875"	1.591"	0.500"	2.03"	3.00"	14.2"	32.70"	9.00"	18.425"	18.21"
404(5)T	19.06"	6.62"	8.00"	12.25"	13.75"	0.81"	7.25"	2.875"	2.450"	0.750"	5.65"	3.00"	15.3"	38.75"	10.00"	20.32"	20.16"
404(5)TS	19.06"	6.62"	8.00"	12.25"	13.75"	0.81"	4.25"	2.125"	1.845"	0.500"	2.78"	3.00"	15.3"	35.75"	10.00"	20.32"	20.16"
444(5)T	21.93"	7.50"	9.00"	14.50"	16.50"	0.81"	8.50"	3.375"	2.880"	0.875"	6.91"	3.00"	18.0"	44.52"	11.00"	22.20"	--
444(5)TS	21.93"	7.50"	9.00"	14.50"	16.50"	0.81"	4.75"	2.375"	2.021"	0.625"	3.03"	3.00"	18.0"	40.77"	11.00"	22.20"	--
447(9)T	21.93"	7.50"	9.00"	20.00"	25.00"	0.81"	8.50"	3.375"	2.880"	0.875"	6.91"	3.00"	18.0"	53.02"	11.00"	22.20"	--
449TS	21.93"	7.50"	9.00"	20.00"	25.00"	0.81"	4.75"	2.375"	2.021"	0.625"	3.03"	3.00"	18.0"	49.27"	11.00"	22.20"	--

NEMA C-Flange Electric Motor Dimensions



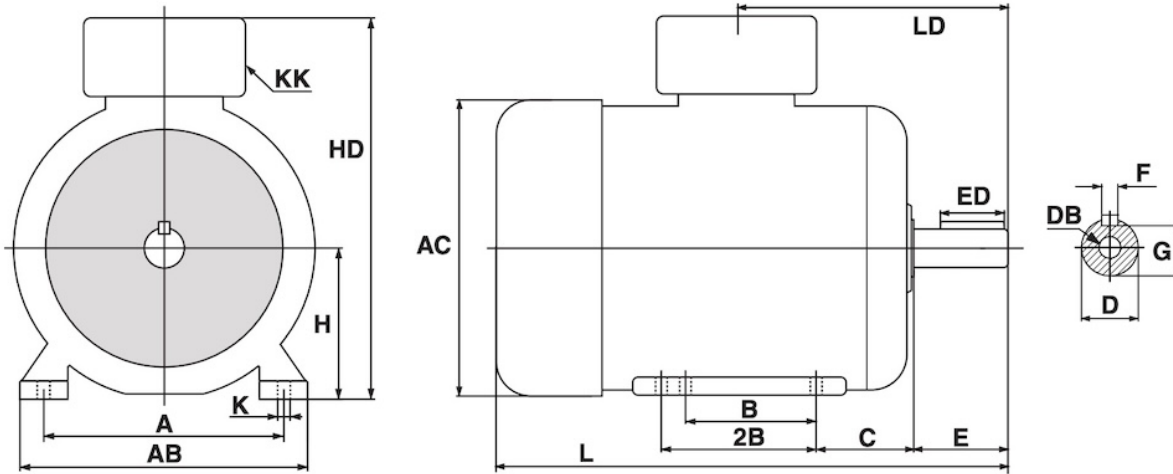
Frame Size	(A)	(BA)	(E)	(H)	(N-W)	(U)	(R)	(S)	(ES)	(AA)	(AB)	(C)	(D)	(O)	(P)	(AJ)	(AK)	(BB)	(BD)	(BF)
56C	6.3"	2.75"	2.44"	0.335"	1.875"	0.625"	0.517"	0.1875"	1.41"	0.50"	5.20"	11.5"	3.50"	6.65"	6.10"	5.875"	4.5"	0.16"	5.875"	3/8-16
58HC	6.3"	2.75"	2.44"	0.335"	1.875"	0.625"	0.517"	0.1875"	1.41"	0.50"	5.65"	13.6"	3.50"	7.00"	6.90"	5.875"	4.5"	0.16"	5.875"	3/8-16
143T	7"	2.25"	2.75"	0.34"	2.25"	0.875"	0.771"	0.188"	1.41"	0.75"	5.90"	13.38"	3.50"	7.25"	7.125"	5.875"	4.5"	0.16"	6.50"	3/8-16
145T	7"	2.25"	2.75"	0.34"	2.25"	0.875"	0.771"	0.188"	1.41"	0.75"	5.90"	14.38"	3.50"	7.25"	7.125"	5.875"	4.5"	0.16"	6.50"	3/8-16
182T	9"	2.75"	3.75"	0.41"	2.75"	1.125"	0.986"	0.250"	1.78"	0.75"	7.17"	15.90"	4.50"	9.055"	9.03"	7.25"	8.5"	0.25"	8.95"	1/2-13
184T	9"	2.75"	3.75"	0.41"	2.75"	1.125"	0.986"	0.250"	1.78"	0.75"	7.17"	16.90"	4.50"	9.055"	9.03"	7.25"	8.5"	0.25"	8.95"	1/2-13
213T	10.27"	3.5"	4.25"	0.41"	3.38"	1.375"	1.201"	0.312"	2.42"	1.00"	7.95"	19.10"	5.25"	10.63"	10.57"	7.25"	8.5"	0.25"	8.95"	1/2-13
215T	10.27"	3.5"	4.25"	0.41"	3.38"	1.375"	1.201"	0.312"	2.42"	1.00"	7.95"	20.60"	5.25"	10.63"	10.57"	7.25"	8.5"	0.25"	8.95"	1/2-13
254T	12.36"	4.25"	5.00"	0.53"	4.00"	1.625"	1.416"	0.375"	2.81"	1.25"	10.10"	24.28"	6.25"	12.68"	12.59"	7.25"	8.5"	0.25"	10.00"	1/2-13
256T	12.36"	4.25"	5.00"	0.53"	4.00"	1.625"	1.416"	0.375"	2.81"	1.25"	10.10"	26.01"	6.25"	12.68"	12.59"	7.25"	8.5"	0.25"	10.00"	1/2-13
284T	13.8"	4.75"	5.50"	0.53"	4.62"	1.875"	1.591"	0.500"	3.28"	1.50"	10.83"	27.73"	7.00"	14.53"	14.26"	9.00"	10.5"	0.25"	11.25"	1/2-13
284TS	13.8"	4.75"	5.50"	0.53"	3.25"	1.625"	1.416"	0.375"	1.91"	1.50"	10.83"	26.36"	7.00"	14.53"	14.26"	9.00"	10.5"	0.25"	11.25"	1/2-13
286T	13.8"	4.75"	5.50"	0.53"	4.62"	1.875"	1.591"	0.500"	3.28"	1.50"	10.83"	29.23"	7.00"	14.53"	14.26"	9.00"	10.5"	0.25"	11.25"	1/2-13
286TS	13.8"	4.75"	5.50"	0.53"	3.25"	1.625"	1.416"	0.375"	1.91"	1.50"	10.83"	27.86"	7.00"	14.53"	14.26"	9.00"	10.5"	0.25"	11.25"	1/2-13
324T	15.4"	5.25"	6.25"	0.66"	5.25"	2.125"	1.845"	0.500"	2.03"	2.00"	13.0"	30.20"	8.00"	16.06"	16.03"	11.00"	12.5"	0.25"	14.00"	5/8-11
324TS	15.4"	5.25"	6.25"	0.66"	3.75"	1.875"	1.591"	0.500"	2.03"	2.00"	13.0"	28.70"	8.00"	16.06"	16.03"	11.00"	12.5"	0.25"	14.00"	5/8-11
326T	15.4"	5.25"	6.25"	0.66"	5.25"	2.125"	1.845"	0.500"	2.03"	2.00"	13.0"	31.70"	8.00"	16.06"	16.03"	11.00"	12.5"	0.25"	14.00"	5/8-11
326TS	15.4"	5.25"	6.25"	0.66"	3.75"	1.875"	1.591"	0.500"	2.03"	2.00"	13.0"	30.20"	8.00"	16.06"	16.03"	11.00"	12.5"	0.25"	14.00"	5/8-11
364T	17.17"	5.88"	7.00"	0.66"	5.88"	2.375"	2.021"	0.625"	4.28"	3.00"	14.2"	33.83"	9.00"	18.425"	18.21"	11.00"	12.5"	0.25"	14.00"	5/8-11
364TS	17.17"	5.88"	7.00"	0.66"	3.75"	1.875"	1.591"	0.500"	2.03"	3.00"	14.2"	31.70"	9.00"	18.425"	18.21"	11.00"	12.5"	0.25"	14.00"	5/8-11
365T	17.17"	5.88"	7.00"	0.66"	5.88"	2.375"	2.021"	0.625"	4.28"	3.00"	14.2"	34.83"	9.00"	18.425"	18.21"	11.00"	12.5"	0.25"	14.00"	5/8-11
365TS	17.17"	5.88"	7.00"	0.66"	3.75"	1.875"	1.591"	0.500"	2.03"	3.00"	14.2"	32.70"	9.00"	18.425"	18.21"	11.00"	12.5"	0.25"	14.00"	5/8-11
404(5)T	19.06"	6.62"	8.00"	0.81"	7.25"	2.875"	2.450"	0.750"	5.65"	3.00"	15.3"	38.75"	10.00"	20.32"	20.16"	11.00"	12.5"	0.25"	15.50"	5/8-11
404(5)TS	19.06"	6.62"	8.00"	0.81"	4.25"	2.125"	1.845"	0.500"	2.78"	3.00"	15.3"	35.75"	10.00"	20.32"	20.16"	11.00"	12.5"	0.25"	15.50"	5/8-11
444(5)T	21.93"	7.50"	9.00"	0.81"	8.50"	3.375"	2.880"	0.875"	6.91"	3.00"	18.0"	44.52"	11.00"	22.20"	--	14.00"	16.0"	0.25"	18.00"	5/8-11
444(5)TS	21.93"	7.50"	9.00"	0.81"	4.75"	2.375"	2.021"	0.625"	3.03"	3.00"	18.0"	40.77"	11.00"	22.20"	--	14.00"	16.0"	0.25"	18.00"	5/8-11
447(9)T	21.93"	7.50"	9.00"	0.81"	8.50"	3.375"	2.880"	0.875"	6.91"	3.00"	18.0"	53.02"	11.00"	22.20"	--	14.00"	16.0"	0.25"	18.00"	5/8-11
449TS	21.93"	7.50"	9.00"	0.81"	4.75"	2.375"	2.021"	0.625"	3.03"	3.00"	18.0"	49.27"	11.00"	22.20"	--	14.00"	16.0"	0.25"	18.00"	5/8-11

NEMA D-Flange Electric Motor Dimensions



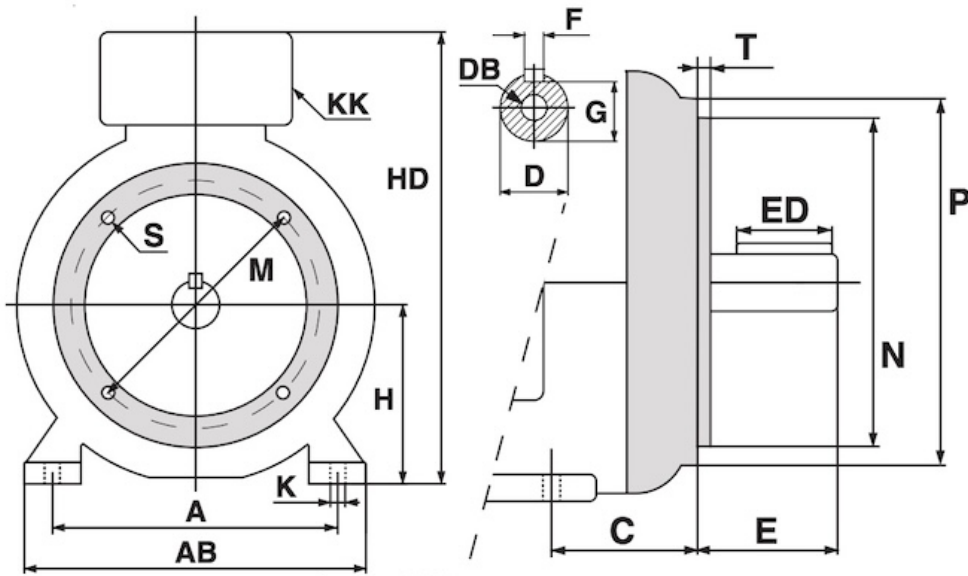
Frame Size	(A)	(BA)	(E)	(H)	(N-W)	(U)	(R)	(S)	(ES)	(AA)	(AB)	(C)	(D)	(O)	(P)	(AJ)	(AK)	(BB)	(BD)	(BF)
56C	6.3"	2.75"	2.44"	0.335"	1.875"	0.625"	0.517"	0.1875"	1.41"	0.50"	5.20"	11.5"	3.50"	6.65"	6.10"	--	--	--	--	--
58HC	6.3"	2.75"	2.44"	0.335"	1.875"	0.625"	0.517"	0.1875"	1.41"	0.50"	5.65"	13.6"	3.50"	7.00"	6.90"	--	--	--	--	--
143T	7"	2.25"	2.75"	0.34"	2.25"	0.875"	0.771"	0.188"	1.41"	0.75"	5.90"	13.38"	3.50"	7.25"	7.125"	10.0"	9.0"	0.25"	11.0"	0.53"
145T	7"	2.25"	2.75"	0.34"	2.25"	0.875"	0.771"	0.188"	1.41"	0.75"	5.90"	14.38"	3.50"	7.25"	7.125"	10.0"	9.0"	0.25"	11.0"	0.53"
182T	9"	2.75"	3.75"	0.41"	2.75"	1.125"	0.986"	0.250"	1.78"	0.75"	7.17"	15.90"	4.50"	9.055"	9.03"	10.0"	9.0"	0.25"	11.0"	0.53"
184T	9"	2.75"	3.75"	0.41"	2.75"	1.125"	0.986"	0.250"	1.78"	0.75"	7.17"	16.90"	4.50"	9.055"	9.03"	10.0"	9.0"	0.25"	11.0"	0.53"
213T	10.27"	3.5"	4.25"	0.41"	3.38"	1.375"	1.201"	0.312"	2.42"	1.00"	7.95"	19.10"	5.25"	10.63"	10.57"	10.0"	9.0"	0.25"	11.0"	0.53"
215T	10.27"	3.5"	4.25"	0.41"	3.38"	1.375"	1.201"	0.312"	2.42"	1.00"	7.95"	20.60"	5.25"	10.63"	10.57"	10.0"	9.0"	0.25"	11.0"	0.53"
254T	12.36"	4.25"	5.00"	0.53"	4.00"	1.625"	1.416"	0.375"	2.81"	1.25"	10.10"	24.28"	6.25"	12.68"	12.59"	12.5"	11.0"	0.25"	14.0"	0.81"
256T	12.36"	4.25"	5.00"	0.53"	4.00"	1.625"	1.416"	0.375"	2.81"	1.25"	10.10"	26.01"	6.25"	12.68"	12.59"	12.5"	11.0"	0.25"	14.0"	0.81"
284T	13.8"	4.75"	5.50"	0.53"	4.62"	1.875"	1.591"	0.500"	3.28"	1.50"	10.83"	27.73"	7.00"	14.53"	14.26"	12.5"	11.0"	0.25"	14.0"	0.81"
284TS	13.8"	4.75"	5.50"	0.53"	3.25"	1.625"	1.416"	0.375"	1.91"	1.50"	10.83"	26.36"	7.00"	14.53"	14.26"	12.5"	11.0"	0.25"	14.0"	0.81"
286T	13.8"	4.75"	5.50"	0.53"	4.62"	1.875"	1.591"	0.500"	3.28"	1.50"	10.83"	29.23"	7.00"	14.53"	14.26"	12.5"	11.0"	0.25"	14.0"	0.81"
286TS	13.8"	4.75"	5.50"	0.53"	3.25"	1.625"	1.416"	0.375"	1.91"	1.50"	10.83"	27.86"	7.00"	14.53"	14.26"	12.5"	11.0"	0.25"	14.0"	0.81"
324T	15.4"	5.25"	6.25"	0.66"	5.25"	2.125"	1.845"	0.500"	2.03"	2.00"	13.0"	30.20"	8.00"	16.06"	16.03"	16.0"	14.0"	0.25"	18.0"	0.81"
324TS	15.4"	5.25"	6.25"	0.66"	3.75"	1.875"	1.591"	0.500"	2.03"	2.00"	13.0"	28.70"	8.00"	16.06"	16.03"	16.0"	14.0"	0.25"	18.0"	0.81"
326T	15.4"	5.25"	6.25"	0.66"	5.25"	2.125"	1.845"	0.500"	2.03"	2.00"	13.0"	31.70"	8.00"	16.06"	16.03"	16.0"	14.0"	0.25"	18.0"	0.81"
326TS	15.4"	5.25"	6.25"	0.66"	3.75"	1.875"	1.591"	0.500"	2.03"	2.00"	13.0"	30.20"	8.00"	16.06"	16.03"	16.0"	14.0"	0.25"	18.0"	0.81"
364T	17.17"	5.88"	7.00"	0.66"	5.88"	2.375"	2.021"	0.625"	4.28"	3.00"	14.2"	33.83"	9.00"	18.425"	18.21"	16.0"	14.0"	0.25"	18.0"	0.81"
364TS	17.17"	5.88"	7.00"	0.66"	3.75"	1.875"	1.591"	0.500"	2.03"	3.00"	14.2"	31.70"	9.00"	18.425"	18.21"	16.0"	14.0"	0.25"	18.0"	0.81"
365T	17.17"	5.88"	7.00"	0.66"	5.88"	2.375"	2.021"	0.625"	4.28"	3.00"	14.2"	34.83"	9.00"	18.425"	18.21"	16.0"	14.0"	0.25"	18.0"	0.81"
365TS	17.17"	5.88"	7.00"	0.66"	3.75"	1.875"	1.591"	0.500"	2.03"	3.00"	14.2"	32.70"	9.00"	18.425"	18.21"	16.0"	14.0"	0.25"	18.0"	0.81"
404(5)T	19.06"	6.62"	8.00"	0.81"	7.25"	2.875"	2.450"	0.750"	5.65"	3.00"	15.3"	38.75"	10.00"	20.32"	20.16"	20.0"	18.0"	0.25"	22.0"	0.81"
404(5)TS	19.06"	6.62"	8.00"	0.81"	4.25"	2.125"	1.845"	0.500"	2.78"	3.00"	15.3"	35.75"	10.00"	20.32"	20.16"	20.0"	18.0"	0.25"	22.0"	0.81"
444(5)T	21.93"	7.50"	9.00"	0.81"	8.50"	3.375"	2.880"	0.875"	6.91"	3.00"	18.0"	44.52"	11.00"	22.20"	--	20.0"	18.0"	0.25"	22.0"	0.81"
444(5)TS	21.93"	7.50"	9.00"	0.81"	4.75"	2.375"	2.021"	0.625"	3.03"	3.00"	18.0"	40.77"	11.00"	22.20"	--	20.0"	18.0"	0.25"	22.0"	0.81"
447(9)T	21.93"	7.50"	9.00"	0.81"	8.50"	3.375"	2.880"	0.875"	6.91"	3.00"	18.0"	53.02"	11.00"	22.20"	--	20.0"	18.0"	0.25"	22.0"	0.81"
449TS	21.93"	7.50"	9.00"	0.81"	4.75"	2.375"	2.021"	0.625"	3.03"	3.00"	18.0"	49.27"	11.00"	22.20"	--	20.0"	18.0"	0.25"	22.0"	0.81"

Metric IEC Footed B3 Electric Motor Dimensions



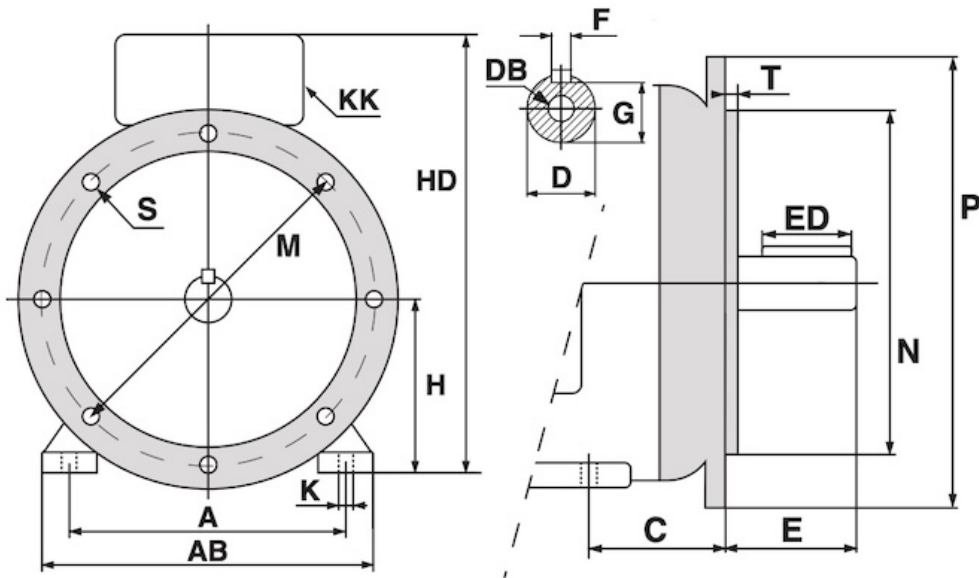
Frame Size	(AB)	(C)	(A)	(B)	(2B)	(K)	(E)	(D)	(G)	(F)	(DB)	(KK)	(L)	(H)	(HD)	(AC)
56	110mm	36mm	90mm	71mm	--	5.8mm	20mm	9mm	7.2mm	3mm	M3	M16X1.5	196mm	56mm	156mm	90mm
63	120mm	40mm	100mm	80mm	--	7mm	23mm	11mm	8.5mm	4mm	M4	M16X1.5	220mm	63mm	171mm	130mm
71	132mm	45mm	112mm	90mm	--	7mm	30mm	14mm	11mm	5mm	M5	M16X1.5	241mm	71mm	179mm	139.6mm
80	160mm	50mm	125mm	100mm	--	10mm	40mm	19mm	15.5mm	6mm	M6	M16X1.5	289mm	80mm	217mm	156mm
90S	175mm	56mm	140mm	100mm	--	10mm	50mm	24mm	20mm	8mm	M8	M20X1.5	312mm	90mm	228mm	177mm
90L	175mm	56mm	140mm	125mm	--	10mm	50mm	24mm	20mm	8mm	M8	M20X1.5	337mm	90mm	228mm	177mm
100L	200mm	63mm	160mm	140mm	--	12mm	60mm	28mm	24mm	8mm	M10	M20X1.5	380mm	100mm	258mm	200mm
112M	230mm	70mm	190mm	140mm	--	12mm	60mm	28mm	24mm	8mm	M10	M25X1.5	400mm	112mm	280mm	220mm
132S	255mm	89mm	216mm	140mm	--	12mm	80mm	38mm	33mm	10mm	M12	M25X1.5	460mm	132mm	319mm	261mm
132M	255mm	89mm	216mm	178mm	--	12mm	80mm	38mm	33mm	10mm	M12	M25X1.5	500mm	132mm	319mm	261mm
160M	314mm	108mm	254mm	210mm	--	15mm	110mm	42mm	37mm	12mm	M16	M32X1.5	605mm	160mm	410mm	313mm
160L	314mm	108mm	254mm	210mm	254mm	15mm	110mm	42mm	37mm	12mm	M16	M32X1.5	650mm	160mm	410mm	313mm
180M	348mm	121mm	279mm	241mm	--	15mm	110mm	48mm	42.5mm	14mm	M16	M32X1.5	687mm	180mm	448mm	360mm
180L	348mm	121mm	279mm	241mm	279mm	15mm	110mm	48mm	42.5mm	14mm	M16	M32X1.5	725mm	180mm	448mm	360mm
200L	388mm	133mm	318mm	305mm	--	19mm	110mm	55mm	49mm	16mm	M20	M40X1.5	768mm	200mm	500mm	399mm
225S	436mm	149mm	356mm	286mm	--	19mm	140mm	60mm	53mm	18mm	M20	M50X1.5	814mm	225mm	560mm	456mm
225M	436mm	149mm	356mm	286mm	311mm	19mm	140mm	60mm	53mm	18mm	M20	M50X1.5	839mm	225mm	560mm	456mm
250M	484mm	168mm	406mm	349mm	--	24mm	140mm	65mm	67.5mm	20mm	M20	M50X1.5	918mm	250mm	611mm	506mm
280S	557mm	190mm	457mm	368mm	--	28mm	140mm	65mm	58mm	22mm	M20	M50X1.5	1035mm	280mm	675mm	559mm
280M	557mm	190mm	457mm	368mm	419mm	28mm	140mm	75mm	71mm	22mm	M20	M50X1.5	1035mm	280mm	675mm	559mm

Metric IEC Footed B14 Electric Motor Dimensions



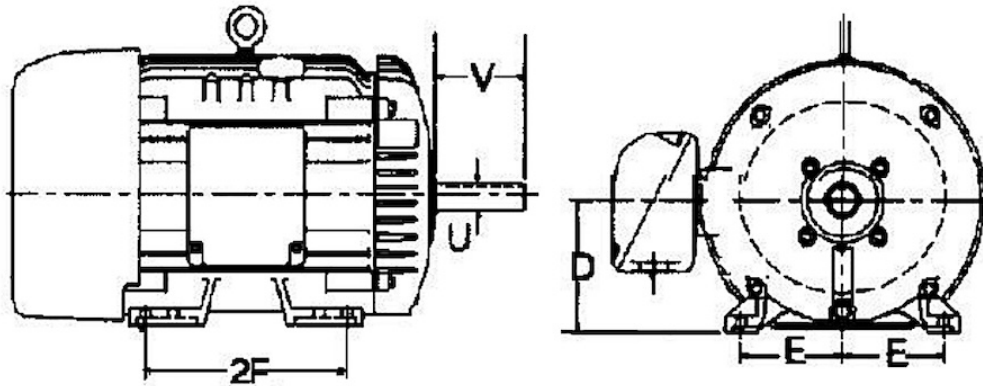
Frame Size	(AB)	(C)	(A)	(K)	(E)	(D)	(G)	(F)	(DB)	(KK)	(L)	(H)	(HD)	(AC)	(M)	(N)	(T)	(P)	(S)
56	110mm	36mm	90mm	5.8mm	20mm	9mm	7.2mm	3mm	M3	M16X1.5	196mm	56mm	156mm	90mm	65mm	50mm	2.5mm	80mm	M5
63	120mm	40mm	100mm	7mm	23mm	11mm	8.5mm	4mm	M4	M16X1.5	220mm	63mm	171mm	130mm	75mm	60mm	2.5mm	90mm	M5
71	132mm	45mm	112mm	7mm	30mm	14mm	11mm	5mm	M5	M16X1.5	241mm	71mm	179mm	139.6mm	85mm	70mm	2.5mm	105mm	M6
80	160mm	50mm	125mm	10mm	40mm	19mm	15.5mm	6mm	M6	M16X1.5	289mm	80mm	217mm	156mm	100mm	80mm	3mm	120mm	M6
90S	175mm	56mm	140mm	10mm	50mm	24mm	20mm	8mm	M8	M20X1.5	312mm	90mm	228mm	177mm	115mm	95mm	3mm	140mm	M8
90L	175mm	56mm	140mm	10mm	50mm	24mm	20mm	8mm	M8	M20X1.5	337mm	90mm	228mm	177mm	115mm	95mm	3mm	140mm	M8
100L	200mm	63mm	160mm	12mm	60mm	28mm	24mm	8mm	M10	M20X1.5	380mm	100mm	258mm	200mm	130mm	110mm	3.5mm	160mm	M8
112M	230mm	70mm	190mm	12mm	60mm	28mm	24mm	8mm	M10	M25X1.5	400mm	112mm	280mm	220mm	130mm	110mm	3.5mm	200mm	M8
132S	255mm	89mm	216mm	12mm	80mm	38mm	33mm	10mm	M12	M25X1.5	460mm	132mm	319mm	261mm	165mm	130mm	3.5mm	200mm	M10
132M	255mm	89mm	216mm	12mm	80mm	38mm	33mm	10mm	M12	M25X1.5	500mm	132mm	319mm	261mm	165mm	130mm	3.5mm	200mm	M10
160M	314mm	108mm	254mm	15mm	110mm	42mm	37mm	12mm	M16	M32X1.5	605mm	160mm	410mm	313mm	215mm	180mm	4mm	250mm	M12
160L	314mm	108mm	254mm	15mm	110mm	42mm	37mm	12mm	M16	M32X1.5	650mm	160mm	410mm	313mm	215mm	180mm	4mm	250mm	M12
180M	348mm	121mm	279mm	15mm	110mm	48mm	42.5mm	14mm	M16	M32X1.5	687mm	180mm	448mm	360mm	--	--	--	--	--
180L	348mm	121mm	279mm	15mm	110mm	48mm	42.5mm	14mm	M16	M32X1.5	725mm	180mm	448mm	360mm	--	--	--	--	--
200L	388mm	133mm	318mm	19mm	110mm	55mm	49mm	16mm	M20	M40X1.5	768mm	200mm	500mm	399mm	--	--	--	--	--
225S	436mm	149mm	356mm	19mm	140mm	60mm	53mm	18mm	M20	M50X1.5	814mm	225mm	560mm	456mm	--	--	--	--	--
225M	436mm	149mm	356mm	19mm	140mm	60mm	53mm	18mm	M20	M50X1.5	839mm	225mm	560mm	456mm	--	--	--	--	--
250M	484mm	168mm	406mm	24mm	140mm	65mm	67.5mm	20mm	M20	M50X1.5	918mm	250mm	611mm	506mm	--	--	--	--	--
280S	557mm	190mm	457mm	28mm	140mm	65mm	58mm	22mm	M20	M50X1.5	1035mm	280mm	675mm	559mm	--	--	--	--	--
280M	557mm	190mm	457mm	28mm	140mm	75mm	71mm	22mm	M20	M50X1.5	1035mm	280mm	675mm	559mm	--	--	--	--	--

Metric IEC Footed B5 Electric Motor Dimensions



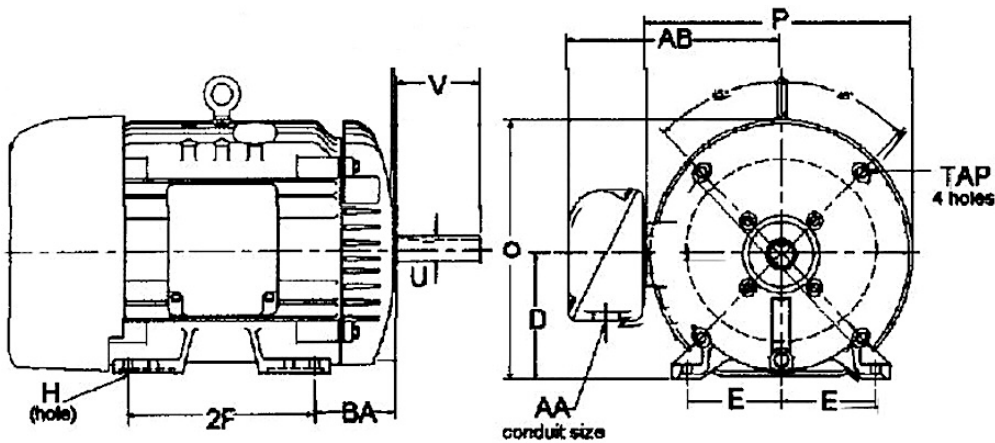
Frame Size	(AB)	(C)	(A)	(K)	(E)	(D)	(G)	(F)	(DB)	(KK)	(L)	(H)	(HD)	(AC)	(M)	(N)	(T)	(P)	(S)
56	110mm	36mm	90mm	5.8mm	20mm	9mm	7.2mm	3mm	M3	M16X1.5	196mm	56mm	156mm	90mm	100mm	80mm	3mm	120mm	7mm
63	120mm	40mm	100mm	7mm	23mm	11mm	8.5mm	4mm	M4	M16X1.5	220mm	63mm	171mm	130mm	115mm	95mm	3mm	140mm	10mm
71	132mm	45mm	112mm	7mm	30mm	14mm	11mm	5mm	M5	M16X1.5	241mm	71mm	179mm	139.6mm	130mm	110mm	3.5mm	160mm	10mm
80	160mm	50mm	125mm	10mm	40mm	19mm	15.5mm	6mm	M6	M16X1.5	289mm	80mm	217mm	156mm	165mm	130mm	3.5mm	200mm	12mm
90S	175mm	56mm	140mm	10mm	50mm	24mm	20mm	8mm	M8	M20X1.5	312mm	90mm	228mm	177mm	165mm	130mm	3.5mm	200mm	12mm
90L	175mm	56mm	140mm	10mm	50mm	24mm	20mm	8mm	M8	M20X1.5	337mm	90mm	228mm	177mm	165mm	130mm	3.5mm	200mm	12mm
100L	200mm	63mm	160mm	12mm	60mm	28mm	24mm	8mm	M10	M20X1.5	380mm	100mm	258mm	200mm	215mm	180mm	4mm	250mm	15mm
112M	230mm	70mm	190mm	12mm	60mm	28mm	24mm	8mm	M10	M25X1.5	400mm	112mm	280mm	220mm	215mm	180mm	4mm	250mm	15mm
132S	255mm	89mm	216mm	12mm	80mm	38mm	33mm	10mm	M12	M25X1.5	460mm	132mm	319mm	261mm	265mm	230mm	4mm	300mm	15mm
132M	255mm	89mm	216mm	12mm	80mm	38mm	33mm	10mm	M12	M25X1.5	500mm	132mm	319mm	261mm	265mm	230mm	4mm	300mm	15mm
160M	314mm	108mm	254mm	15mm	110mm	42mm	37mm	12mm	M16	M32X1.5	605mm	160mm	410mm	313mm	300mm	250mm	5mm	350mm	19mm
160L	314mm	108mm	254mm	15mm	110mm	42mm	37mm	12mm	M16	M32X1.5	650mm	160mm	410mm	313mm	300mm	250mm	5mm	350mm	19mm
180M	348mm	121mm	279mm	15mm	110mm	48mm	42.5mm	14mm	M16	M32X1.5	687mm	180mm	448mm	360mm	300mm	250mm	5mm	350mm	19mm
180L	348mm	121mm	279mm	15mm	110mm	48mm	42.5mm	14mm	M16	M32X1.5	725mm	180mm	448mm	360mm	300mm	250mm	5mm	350mm	19mm
200L	388mm	133mm	318mm	19mm	110mm	55mm	49mm	16mm	M20	M40X1.5	768mm	200mm	500mm	399mm	350mm	300mm	5mm	400mm	19mm
225S	436mm	149mm	356mm	19mm	140mm	60mm	53mm	18mm	M20	M50X1.5	814mm	225mm	560mm	456mm	400mm	350mm	5mm	450mm	19mm
225M	436mm	149mm	356mm	19mm	140mm	60mm	53mm	18mm	M20	M50X1.5	839mm	225mm	560mm	456mm	400mm	350mm	5mm	450mm	19mm
250M	484mm	168mm	406mm	24mm	140mm	65mm	67.5mm	20mm	M20	M50X1.5	918mm	250mm	611mm	506mm	500mm	450mm	5mm	550mm	19mm
280S	557mm	190mm	457mm	28mm	140mm	65mm	58mm	22mm	M20	M50X1.5	1035mm	280mm	675mm	559mm	500mm	450mm	5mm	550mm	19mm
280M	557mm	190mm	457mm	28mm	140mm	75mm	71mm	22mm	M20	M50X1.5	1035mm	280mm	675mm	559mm	500mm	450mm	5mm	550mm	19mm

Pre-NEMA Motor Dimensions



Frame Size	(U)	(V)	(D)	(2F)	(E)	Frame Size	(U)	(V)	(D)	(2F)	(E)
203	3/4"	2"	5"	5-1/2"	4"	404	2-1/8"	6-1/8"	10"	12-1/4"	8"
204	3/4"	2"	5"	6-1/2"	4"	404S	1-7/8"	3-1/2"	10"	12-1/4"	8"
224	1"	2-3/4"	5-1/2"	6-3/4"	4-1/2"	405	2-1/8"	6-1/8"	10"	13-3/4"	8"
225	1"	2-3/4"	5-1/2"	7-1/2"	4-1/2"	405S	1-7/8"	3-1/2"	10"	13-3/4"	8"
254	1-1/8"	3-1/8"	6-1/4"	8-1/4"	5"	444	2-3/8"	6-7/8"	11"	14-1/2"	9"
284	1-1/4"	3-3/4"	7"	9-1/2"	5-1/2"	444S	2-1/8"	4"	11"	14-1/2"	9"
324	1-5/8"	4-5/8"	8"	10-1/2"	6-1/4"	445	2-3/8"	6-7/8"	11"	16-1/2"	9"
324S	1-5/8"	3"	8"	10-1/2"	6-1/4"	445S	2-1/8"	4"	11"	16-1/2"	9"
326	1-5/8"	4-5/8"	8"	12"	6-1/4"	504	2-5/8"	7-5/8"	12-1/2"	16"	8"
326S	1-5/8"	3"	8"	12"	6-1/4"	504S	2-1/8"	4"	12-1/2"	16"	8"
364	1-7/8"	5-3/8"	9"	11-1/4"	7"	505	2-7/8"	8-3/8"	12-1/2"	18"	9"
364S	1-7/8"	3-1/2"	9"	11-1/4"	7"	505S	2-1/8"	4"	12-1/2"	18"	9"
365	1-7/8"	5-3/8"	9"	12-1/4"	7"	584	2-7/8"	11-5/8"	14-1/2"	18"	9"
365S	1-5/8"	3-1/2"	9"	12-1/4"	7"	584S	2-3/8"	4-3/4"	14-1/2"	18"	9"

5000 Frame Motor Dimensions



Frame Size	(D)	(E)	(2F)	(H)	(O)	(P)	(U)	(V)	(AA)	(AB)	(BA)
5007S	12-1/2"	10"	22"	15/16"	26-27/32"	30"	2-1/2"	6-1/2"	4-NPT	26-7/8"	8-1/2"
5007L	12-1/2"	10"	22"	15/16"	26-27/32"	30"	3-7/8"	11-1/8"	4-NPT	26-7/8"	8-1/2"
5009S	12-1/2"	10"	28"	15/16"	26-27/32"	30"	2-1/2"	6-1/2"	4-NPT	26-7/8"	8-1/2"
5009L	12-1/2"	10"	28"	15/16"	26-27/32"	30"	3-7/8"	11-1/8"	4-NPT	26-7/8"	8-1/2"
5011S	12-1/2"	10"	36"	15/16"	26-27/32"	30"	2-1/2"	6-1/2"	4-NPT	26-7/8"	8-1/2"
5011L	12-1/2"	10"	36"	15/16"	26-27/32"	30"	3-7/8"	11-1/8"	4-NPT	26-7/8"	8-1/2"

NEMA Frame Sizes VS Horsepower

Horsepower	T-Frames 1964- Present (900RPM)	U-Frames 1952- Present (900RPM)	Original NEMA (900RPM)	T-Frames 1964- Present (1200RPM)	U-Frames 1952- Present (1200RPM)	Original NEMA (1200RPM)	T-Frames 1964- Present (1800RPM)	U-Frames 1952- Present (1800RPM)	Original NEMA (1800RPM)	T-Frames 1964- Present (3600RPM)	U-Frames 1952- Present (3600RPM)	Original NEMA (3600RPM)
1	182T	213	225	145T	184	204	143T	182	203	--	--	--
1.5	184T	213	254	182T	184	224	145T	184	204	143T	182	203
2	213T	215	254	184T	213	225	145T	184	224	145T	184	204
3	215T	254U	284	213T	215	254	182T	213	225	145T/ 182T	184	224
5	254T	256U	324	215T	254U	284	184T	215	254	182T/ 184T	213	225
7.5	256T	284U	326	254T	256U	324	213T	254U	284	184T/ 213T	215	254
10	284T	286U	364	256T	284U	326	215T	256U	324	213T/ 215T	254U	284
15	286T	326U	365	284T	324U	364	254T	284U	326	215T/ 254T	256U	324
20	324T	364U	404	286T	326U	365	256T	286U	364	254T/ 256T	284U/ 286U	326
25	326T	265U	405	324T	364U	404	284T	324U	364/ 365	256T/ 284TS	286U/ 324U	364S/ 365S
30	364T	404U	444	324T	365U	405	286T	326U	365/ 404	284TS/ 286TS	324S/ 326S	364S/ 404S
40	365T	405U	445	364T	404U	444	324T	364U	404/ 405	286TS/ 324TS	326S/ 364US	365S/ 404S
50	404T	444U	504	365T	405U	445	326T	365US	405S/ 444	324TS/ 326TS	364US	404S/ 444S
60	405T	445U	505	404T	444U	504	364T	404US/ 405US	444S/ 445S	326TS/ 364TS	365US/ 405US	405S/ 445S
75	444T	--	--	405T	445U	505	365TS	405US/ 444US	445S/ 504S	364TS/ 365TS	404US/ 444US	444S/ 504S
100	445T	--	--	444T	--	--	404TS/ 405TS	444US/ 445US	504S/ 505S	365TS/ 405TS	405US/ 445US	445S/ 505S
125	--	--	--	445T	--	--	405TS/ 444TS	445US	505S	404TS/ 444TS	444US	504S
150	--	--	--	--	--	--	444TS/ 445TS	--	--	405TS/ 445TS	445US	505S
200	--	--	--	--	--	--	445TS	--	--	444TS	--	--
250	--	--	--	--	--	--	--	--	--	445TS	--	--

Address: 13614 Granville Ave, Clermont, FL 34711

Phone: (407) 347-3519

Email: sales@usarollerchain.com

