



Model Number:	SD3-364T-6-BR-E-40
MFG PN:	7968
List Price:	

All data shown at HIGH voltage setting Format: STD 3 Phase

Electrical Data				General Data		
Rated Motor Output Power	40.0	HP		Frame Size	364T	
Rated Motor Speed	1180	r/min 60Hz		Enclosure	TEFC	
	975	r/min 50Hz		Mounting	Rigid	
Rated Motor Voltage (3 Phase)	460	V/60Hz		NEMA Design	B	
	380	V/50Hz		IP Rating	55	
Rated Motor Current	48	A (In) @ 60Hz		Insulation Class	F	
	58.7	A (In) @ 50Hz		Tropicalization	1	
FL Current @ 208V	None	A (In) @ 60Hz		Duty	Cont.	
Service Factor	1.15	@ 60Hz		Cable Entry	None	
	1.15	@ 50Hz		Feet Removable	0	
KVA Code	G	60Hz		Double Drilled	0	
	C	50Hz		Frame Material	Cast	
Nominal Efficiency	94.1	% @ 60Hz		Shaft Material	None	
	92.7	% @ 50Hz		Coating	RAL	7024
Nominal Power Factor	0.83	cosθ @ 60Hz				
Full Load Torque Ft-Lb	S			Mechanical Data		
Load Data	Trq Ft-Lb	Trq %FL	Current Amps	Bearing DE Side	6313	
Locked Rotor				Bearing NDE Side	6313	
Breakdown	520.1133389	200.0	-	Comp Ring (wavey washer)	DE	
Pull Up	333.7535106	197.0	-	Weight	600.8625	Lbs
Load Data	RPM	Eff %	Current Amps	Moment of Inertia	None	kg.m3
125% of FL	1774.4	93.41	82.79	Site Conditions		
75% of FL	1785.5	94.29	52.63	Temp Rise @ Full Load °C	None	@ 60Hz
50% of FL	1790.5	93.78	40.19	Ambient Temperature °C	40	
No Load	1199.0	0	26.53	Altitude Above Sea Level (M)	1000	
Brake Torque (N-M)	100.0	Loaded Torque Curves		None		
Brake Coil Voltage	None	P1 = Output Power (KW), S = Slip (% of Sync RPM), η = Efficiency (%), cosφ = Power Factor				

<b>CT VFD Range</b>	
Haz Loc Rating	
Options:	
<b>UL File Number</b>	
<b>CSA File Number</b>	
<b>DOE File Number</b>	
<b>CE APPROVAL</b>	
<b>Wiring Diagram</b>	<b>NEMA-3-6-D</b>

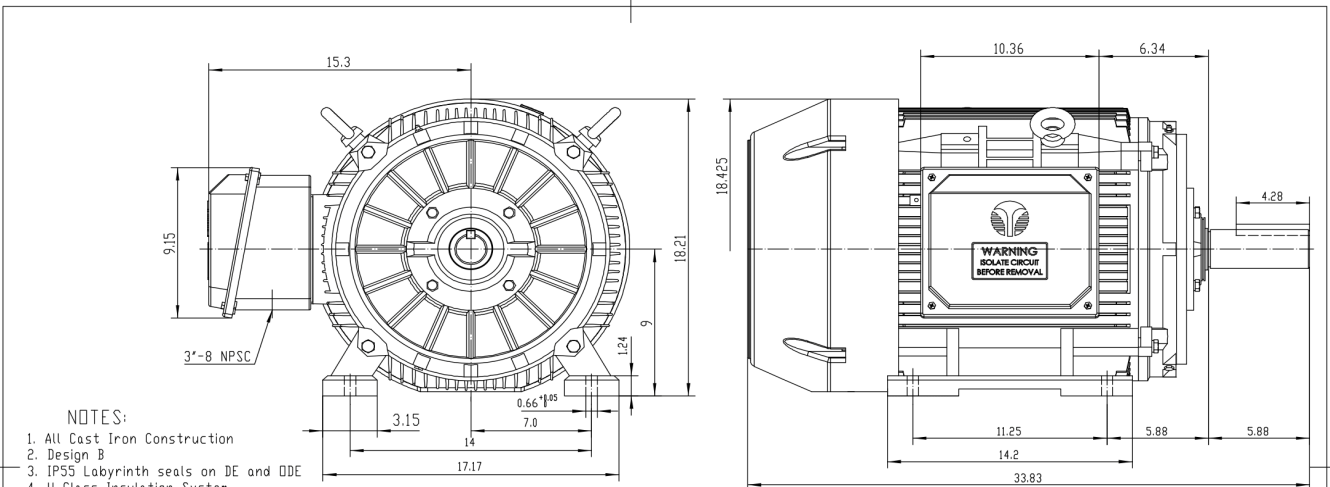
Techtop Industries -2815 Colonnades Court - Peachtree Corners, GA 30071 - Phone: (678) 436-5540



<b>Model Number:</b>	SD3-364T-6-BR-E-40
<b>MFG PN:</b>	
<b>List Price:</b>	7968

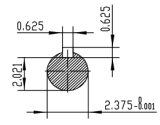
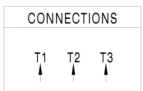
Dimensional Drawing (For Reference Only)

841-364T40U6B



- NOTES:**
- All Cast Iron Construction
  - Design B
  - IP55 Labyrinth seals on DE and ODE
  - H Class Insulation System
  - Max Winding Temperature rise 80°C
  - Max bearing temperature rise 45°C for 4 pole and 50°C for 2 pole motors when direct coupled.
  - Regreasable bearings
  - External Grounding provisions
  - Maximum Foot flatness deviation .127 mm
  - Conductive Polymer Cooling Fan
  - Diagonally Split Conduit Box rotatable in 90° increments
  - Lead seals in conduit box
  - Maximum no load sound power 85 dBA(2 pole), Maximum no load sound power 70 dBA(4 pole), Maximum no load sound power 64 dBA(6 pole).
  - No Load Motor Vibration not to exceed
    - Radial 60HZ - 2.03mm/s (2,4 pole) and 1.52mm/s (6 pole)
    - Axial 60HZ - 1.52mm/s
  - 300 series Stainless Steel hardware
  - Epoxy Coating meeting ASTM B117-97 for 96 h
  - All internal surfaces coated with anti-corrosion coating.
  - Internal Shaft Grounding brush installed on drive end.
  - No Load test report included with motor

<b>TECHTOP IEEE 841</b>		SEVERE DUTY ELECTRIC MOTOR	
MODEL: SD3-364T-6-BR-E-40	50 Hz	MFG PN: T 364T40U6B	TECHTOP.COM
HP: 40	40	SER # 1603102039	
RPM: 1180	975	DATE: 06/28/02	
VOLT(S): 460	380	DESIGN: 6	
FLA: 48.0	58.7	FRAME: 364T	
SF: 1.15	1	ENGL: TEFC	
KVA CODE: C	C	IP: 55	
NOM EFF: 0.941		DUTY: Cont	
INS CL: H		AMB: 40 °C	
WEIGHT: 750.5 lbs		MADE IN CHINA	



<b>TECHTOP</b>		NEMA TEFC 364T-40HP-6P	
ShangHai HIMAK Electrical Machinery CO., LTD		IEEE-841 UNITS:INCH	
Design	Standard	NO:	CY258.A20.003
Checker	Allow	STEP MARK	1:5 SORT Cast iron Motor
Auditing	Date		

Components			
Item	Model	Description	List Price
C-Face Kit			
D-Flange Kit			
DE Endplate Kit			
NDE Endplate Kit			
Junction Box			
Cooling Fan Cover			
Cooling Fan			
Replacement Feet			
DE Bearing Retainer Kit			
NDE Bearing Retainer Kit			

